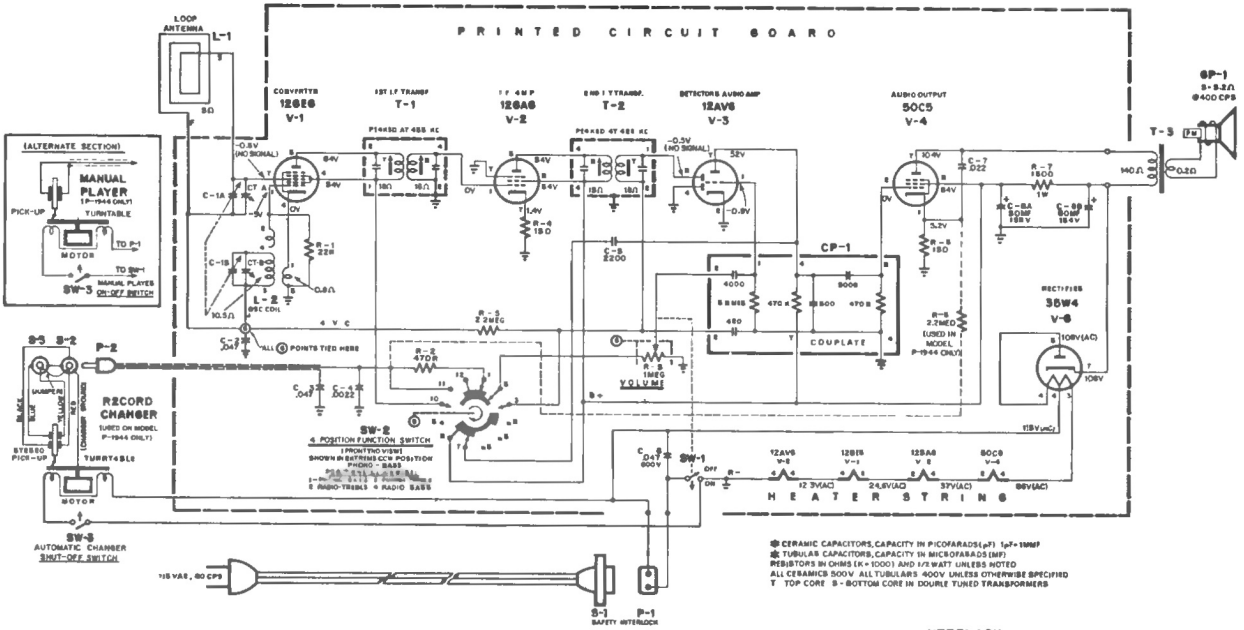
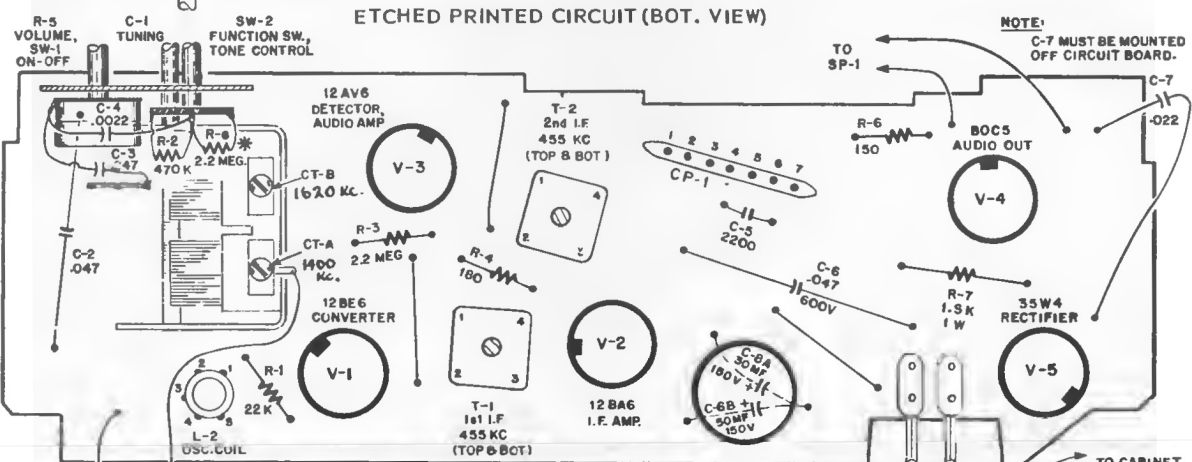
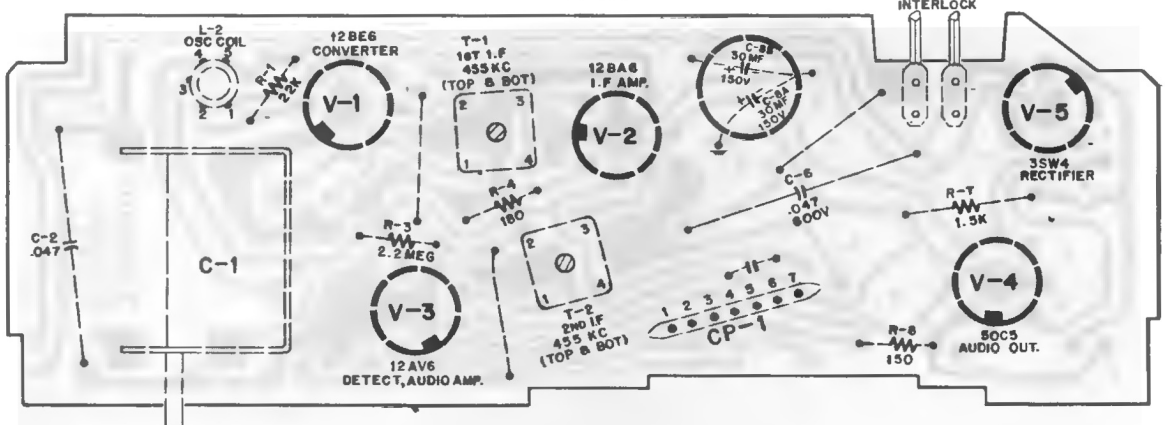


# Emerson Radio

MODELS:  
P-1944, P-1946  
CHASSIS: 120726



Ⓢ CERAMIC CAPACITORS, CAPACITY IN PICOFARADS (pF) 1pF=1000P  
 Ⓢ TUBULAR CAPACITORS, CAPACITY IN MICROFARADS (MF)  
 Ⓢ RESISTORS IN OHMS (Ω-1000) AND 1/2 WATT UNLESS NOTED  
 ALL CERAMIC 500V ALL TUBULARS 400V UNLESS OTHERWISE SPECIFIED  
 T TOP CORE B BOTTOM CORE IN DOUBLE TUNED TRANSFORMERS



\* NOTE: USE WITH MODEL P-1944 ONLY.

## TUBE LOCATIONS AND ALIGNMENT POINTS

TO L-1 (ANTENNA)

TO CABINET AC INTERLOCK